

# Product Manual

## Thank you for buying Aputure F10 Fresnel.

The Aputure F10 Fresnel is an optical accessory for the LS600d, LS600x, LS300d, LS300d II, LS120d and LS120d II, and is compatible with other brands with Bownes Mount.

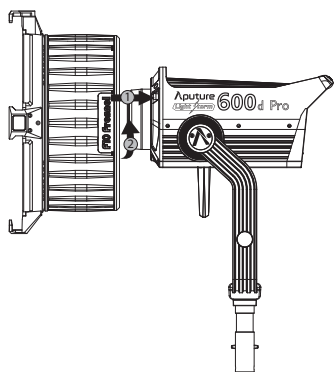
## The main function

The luminance of the lamp can be increased by 4~9 times, and the beam Angle (15°~45°) can be adjusted.

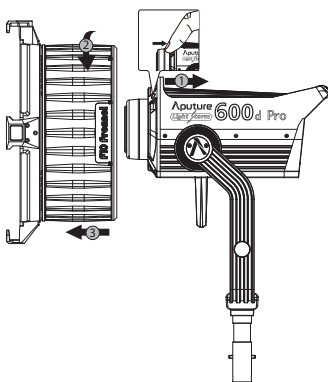
## Packing list

- F10 Fresnel \*1
- Carrying Case \*1
- Product manual \*1

## Install

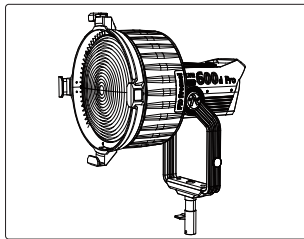


## Unlock

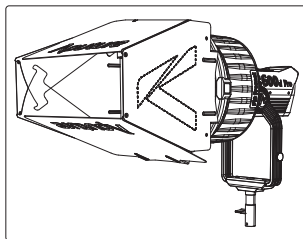


## Multiple usage

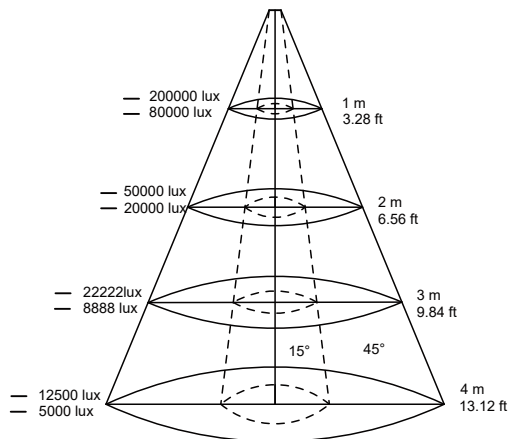
1. Use with photographic lights



2. Use with Aputure F10 Barn Doors



## Illumination distribution map (LS C600d Pro)



\* This is an averaged result, the number might be slightly different on each light.

- Spot
- Flood

Detailed product manual can be found on [www.aputure.com](http://www.aputure.com).

**Aputure**

GUARANTEE CARD

Serial No.	
Item Name	
Purchase Date	
Buyer Name	
Buyer Phone	
Buyer Add	
Franchiser Seal	

Add: F/3, Building 21, Longjun Industrial Estate, HePing West Road, Shenzhen, Guangdong

**Aputure**  
Aputure Imaging Industries Co., Ltd.  
Inspection: Qualified

## Service Warranty (EN)

Aputure Imaging Industries Co., Ltd. warrants the original consumer purchaser from defects in material and workmanship for a period of one (1) year after the date of purchase. For more details of warranty visit [www.aputure.com](http://www.aputure.com)

**Important:** Keep your original sales receipt. Be sure the dealer has written on it the date, serial No. of the product. This information is required for warranty service.

### This warranty does not cover:

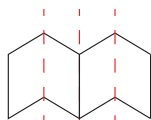
- Damage that is the result of misuse, abuse, accident (including but not limited to damage by water), faulty connection, defective or maladjusted associated equipment, or the use of the product with equipment for which it was not intended.
- Cosmetic defects that appear more than thirty (30) days after the date of purchase. Cosmetic damage caused by improper handling is also excluded.
- Damage that occurs while the product is being shipped to whoever will service it.

### This warranty is void if:

- The product identification or serial No. label is removed or defaced in any way.
- The product is serviced or repaired by any one other than Aputure or an authorized Aputure dealer or service agency.

Aputure Imaging Industries Co., Ltd.  
Add: F/3, Building 21, Longjun Industrial Estate,  
HePing West Road, Shenzhen, Guangdong  
E-MAIL: [cs@aputure.com](mailto:cs@aputure.com)  
Sales Contact: (86) 0755-83285599-613

折页方式:



为折线(不印刷)

折页成型 (英文在正面):



**Aputure** 深圳市爱图仕影像器材有限公司

设计项目	172说明书	图号	AP-172-PR-01
尺寸(mm)	315*140mm 折页尺寸: 105*140mm	版本	V1.0
材质工艺	70g 书纸, 正反两面印刷	设计师	Ingrid
备注	料号:	日期	20201014

感谢您购买 爱图仕10英寸菲涅尔变焦套件。

爱图仕10英寸菲涅尔变焦套件是一款搭配爱图仕LS600d、LS600x、LS300d、LS300d II、LS120d、LS120d II等系列产品使用的光学配件,同时兼容其他品牌带标准保荣卡口的产品。

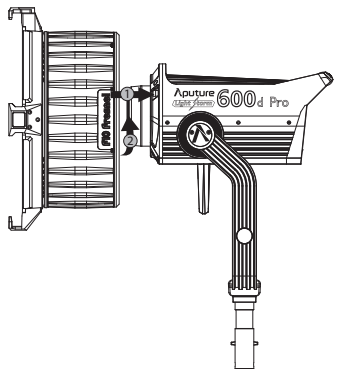
### 主要功能

聚光性更强,光利用率更高,灯具照度可提高4~9倍,并可实现光束角(15°~45°)的调节变化。

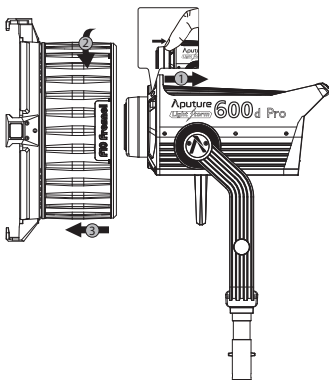
### 包装清单

爱图仕10英寸菲涅尔变焦套件\*1  
便携包\*1  
说明书\*1

### 安装

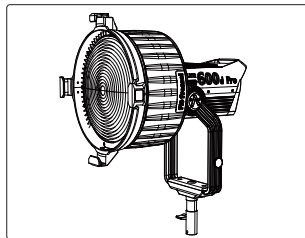


### 拆卸

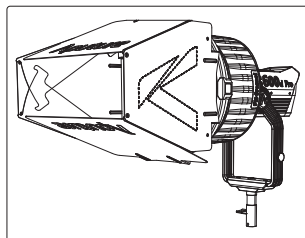


### 多种使用方式

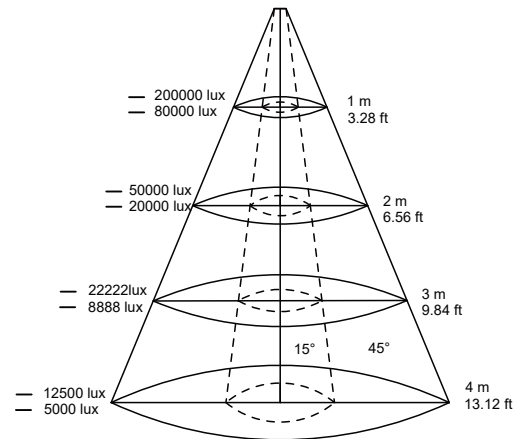
1.单独配合摄影灯使用



2.搭配爱图仕10英寸八叶挡光板使用



中心照度分布图 (LS C600d Pro)



\* 照度数据为平均数据,不同灯的亮度会有微小差异。

- 聚焦
- 广角

您可以在本公司网站 <http://www.aputure.com/cn> 下载本产品的详细使用者指南。

Aputure®

保修卡

保修条款(中文)

本公司对产品第一买主客户提供为期一年的质量保证期。质保内容和细节,请登陆我们的网站[www.aputure.com](http://www.aputure.com)。

#### 重要说明:

请保留您原始购买单据及保修卡,确定您购买的供应商资料都在此单据,同时包括您的购买日期,产品序列号等,这些资料质保服务时都会需要提供。

#### 质保范围不包括:

- 产品不当使用,破坏,意外,错误接线,不良或失调的外接装置,不适合的外接装置所造成的损坏(包括暴露于雨水等损坏),不在质保范围。
- 自购买日30天后产品外观的损伤,或是不当的表面处理接触造成的外观损伤,不在质保范围。
- 经销商运送所造成的损坏,不在质保范围。

#### 质保无效说明:

- 产品序列号标识已经被撕去或无法辨识,本质条款无效。
- 产品未经本公司或者指定授权维修公司的检修及改装,本质条款无效。

深圳市爱图仕影像器材有限公司

地址:广东省深圳市龙华和平西路部九窝龙军工业区21栋3楼

邮箱:cs@aputure.com

销售热线:0755-838569-613

服务热线:400-0999-028

Aputure®

爱图仕

深圳市爱图仕影像器材有限公司

检验:合格

地址:深圳市龙华新区和平西路部九窝龙军工业区

产品编号	
产品名称	
购买日期	
用户姓名	
用户电话	
用户地址	
经销商印章	